

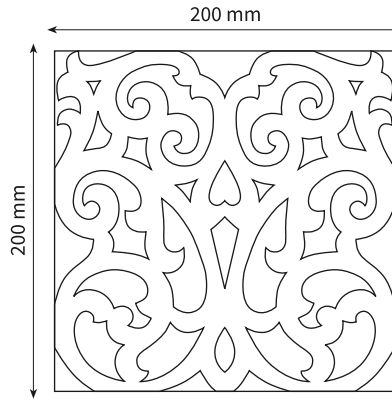
ficha técnica

**ceramic**

2019

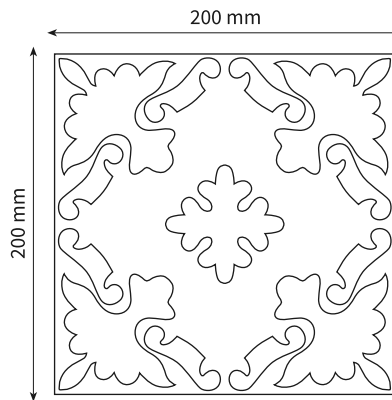
REF: **UVA**

Area (unit) - 0,040 m<sup>2</sup>



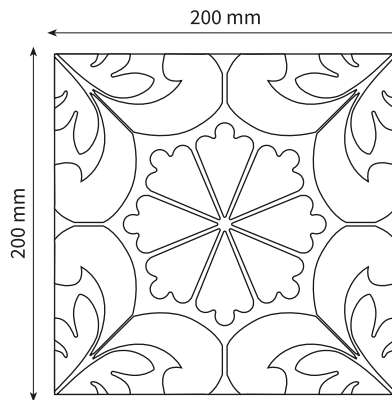
REF: **BRAGA**

Area (unit) - 0,040 m<sup>2</sup>



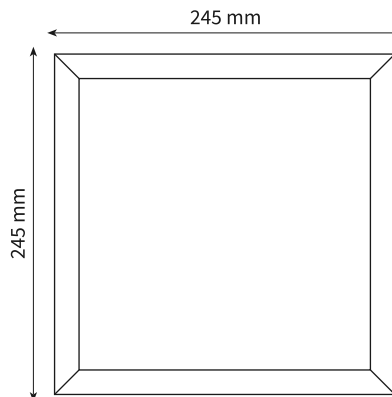
REF: **LIS**

Area (unit) - 0,040 m<sup>2</sup>



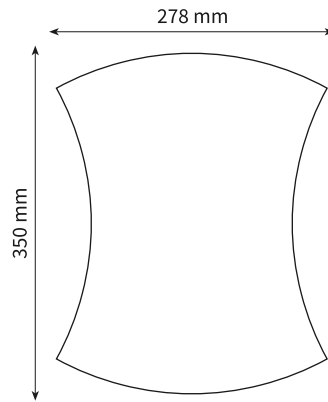
REF: **CHOC**

Area (unit) - 0,060 m<sup>2</sup>



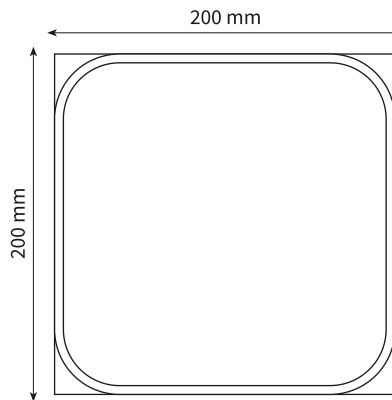
REF: **LUAS**

Area (unit) - 0,0774 m<sup>2</sup>



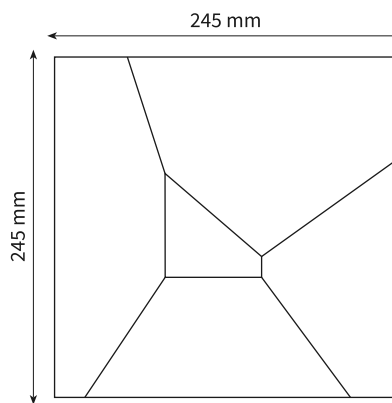
REF: **VAGA**

Area (unit) - 0,040 m<sup>2</sup>



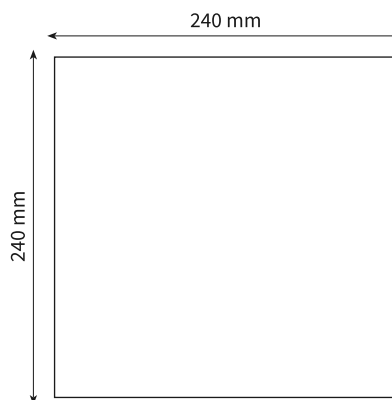
REF: **BISEL**

Area (unit) - 0,060 m<sup>2</sup>



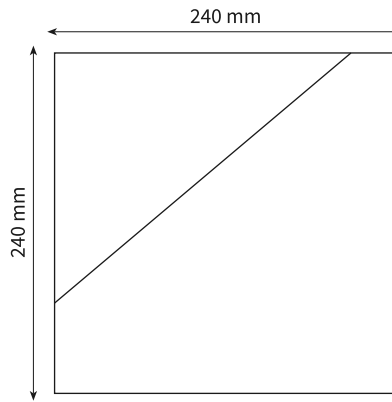
REF: **NOLA**

Area (unit) - 0,058 m<sup>2</sup>



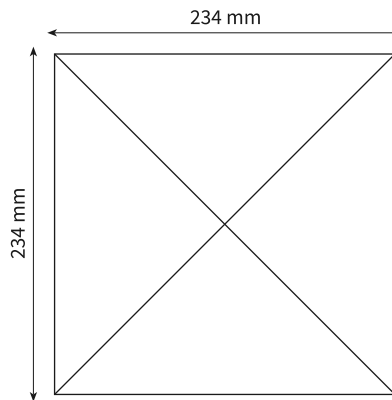
REF: **PINO**

Area (unit) - 0,058 m<sup>2</sup>



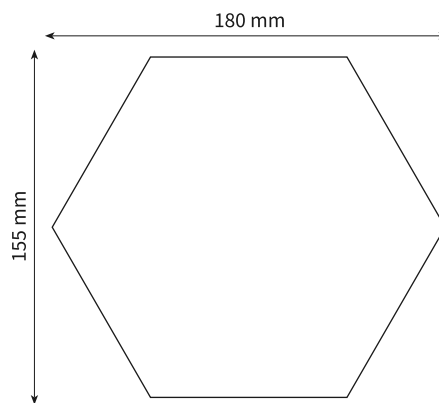
REF: **FORM**

Area (unit) - 0,056 m<sup>2</sup>



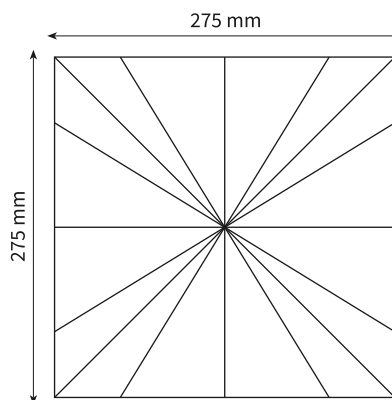
REF: **HEXA**

Area (unit) - 0,021 m<sup>2</sup>



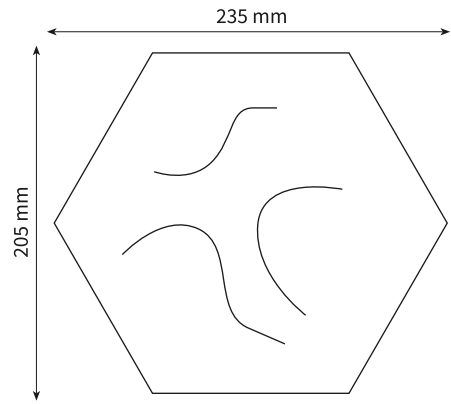
REF: **GRAPA**

Area (unit) - 0,076 m<sup>2</sup>



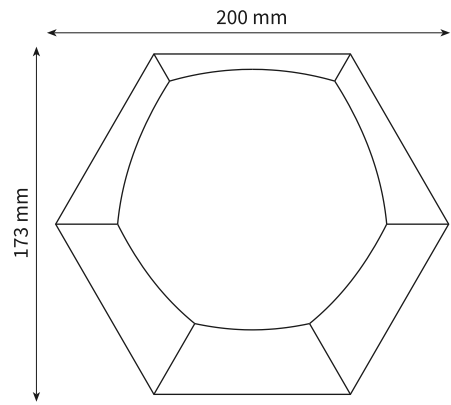
REF: **NUMO**

Area (unit) - 0, 036 m<sup>2</sup>



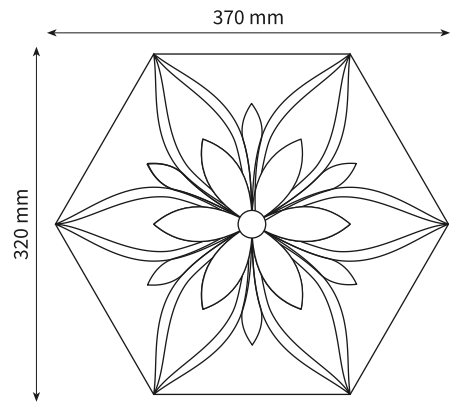
REF: **LUA**

Area (unit) - 0, 026 m<sup>2</sup>



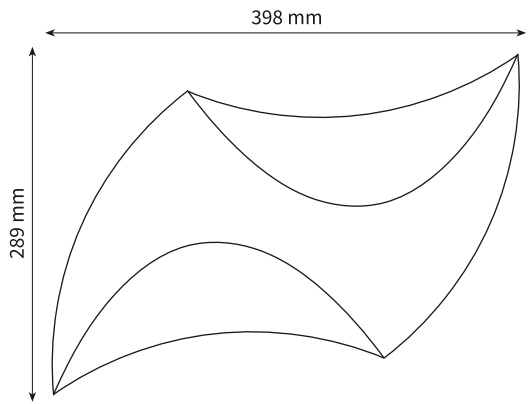
REF: **FLOR**

Area (unit) - 0, 089 m<sup>2</sup>



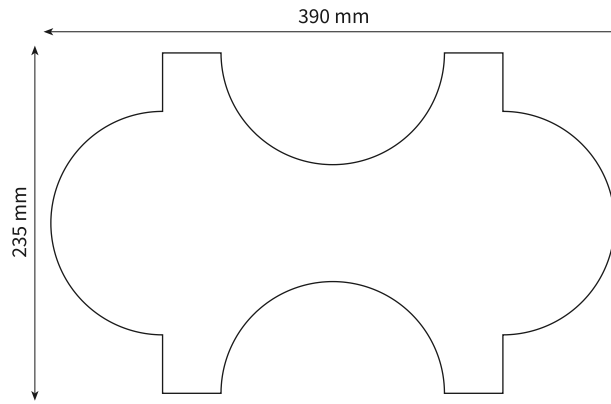
REF: **TILO**

Area (unit) - 0, 069 m<sup>2</sup>



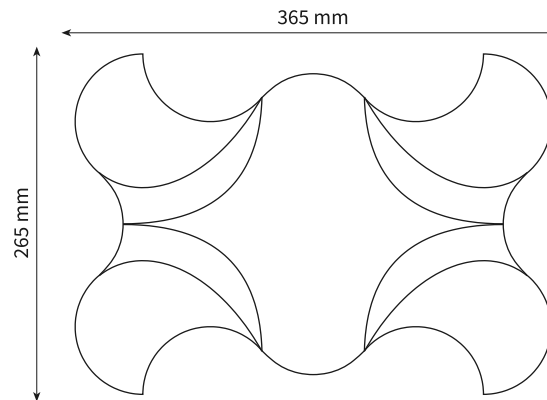
REF: **PATA**

Area (unit) - 0,055 m<sup>2</sup>



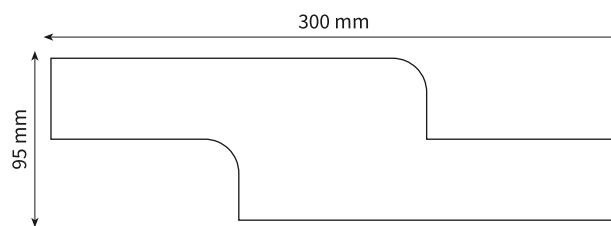
REF: **PRIMEIRO**

Area (unit) - 0,070 m<sup>2</sup>



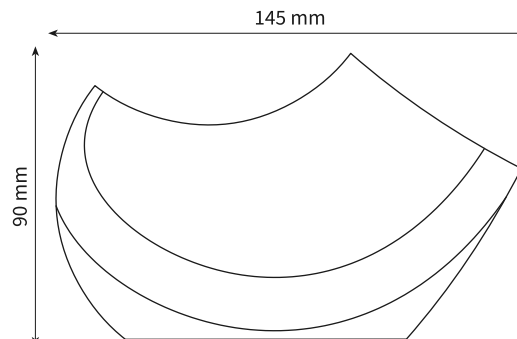
REF: **DISFORME**

Area (unit) - 0,019 m<sup>2</sup>



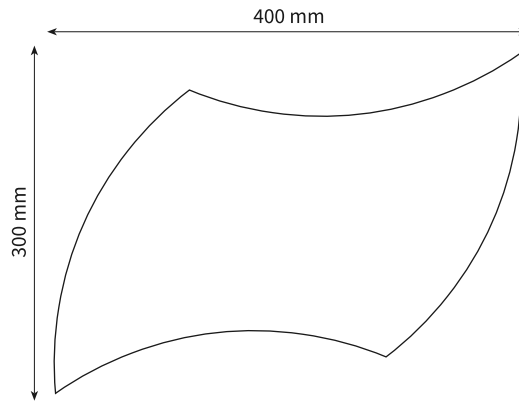
REF: **MINI**

Area (unit) - 0,009 m<sup>2</sup>



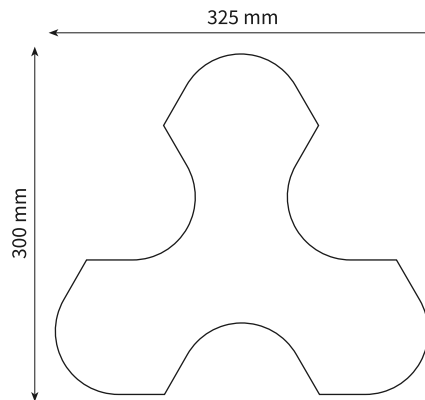
REF: **PICO**

Area (unit) - 0,069 m<sup>2</sup>



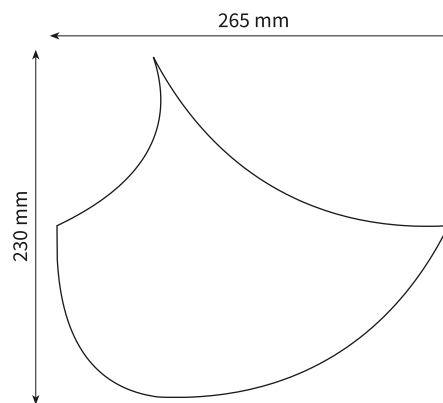
REF: **TRIOP**

Area (unit) - 0,047 m<sup>2</sup>



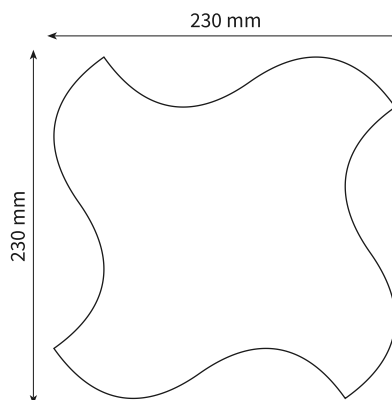
REF: **ORIGAMI**

Area (unit) - 0,030 m<sup>2</sup>



REF: **UNO**

Area (unit) - 0,040 m<sup>2</sup>



**[www.ceramista.pt](http://www.ceramista.pt)**

Rua Porrões N.º 66 4705-472 Cunha - Braga Portugal  
Tel: +351 253 287 123 | Fax: +351 253 674404  
[geral@ceramista.pt](mailto:geral@ceramista.pt)